

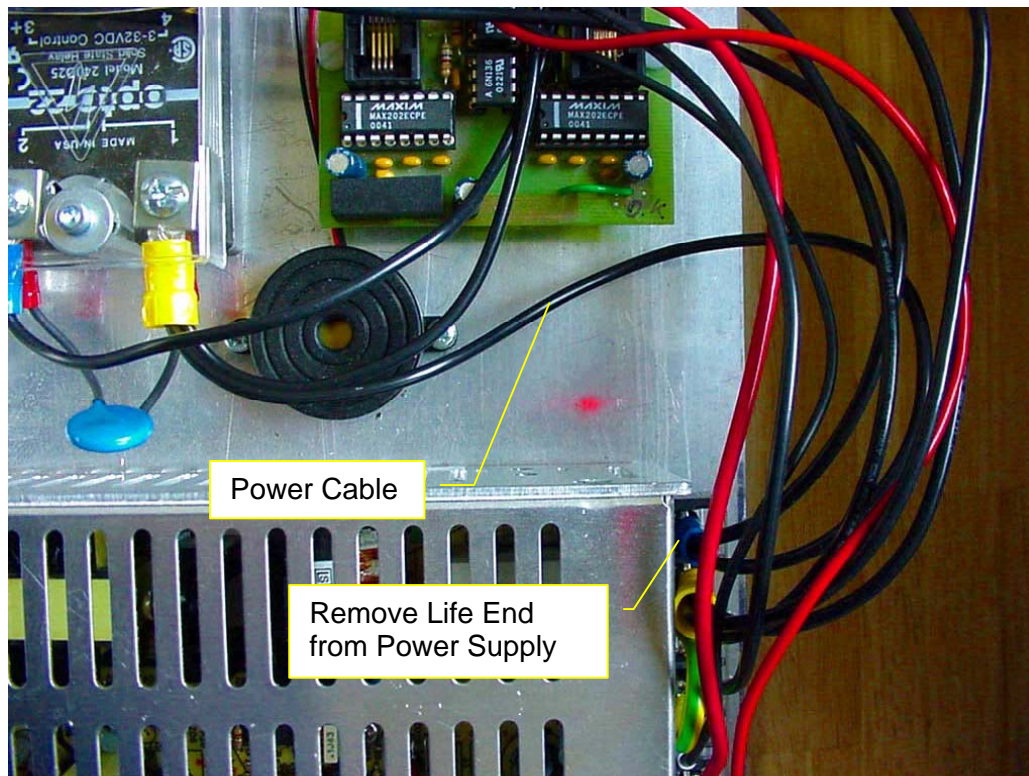
<b>Title:</b>	<b>Green Power Switch Burned</b>			<b>ID:</b>
				0272
<b>Date in:</b>	<b>Response:</b>	<b>Model:</b>	<b>Author:</b>	
2006-12-01	2006-12-01	STX1000	CMa	

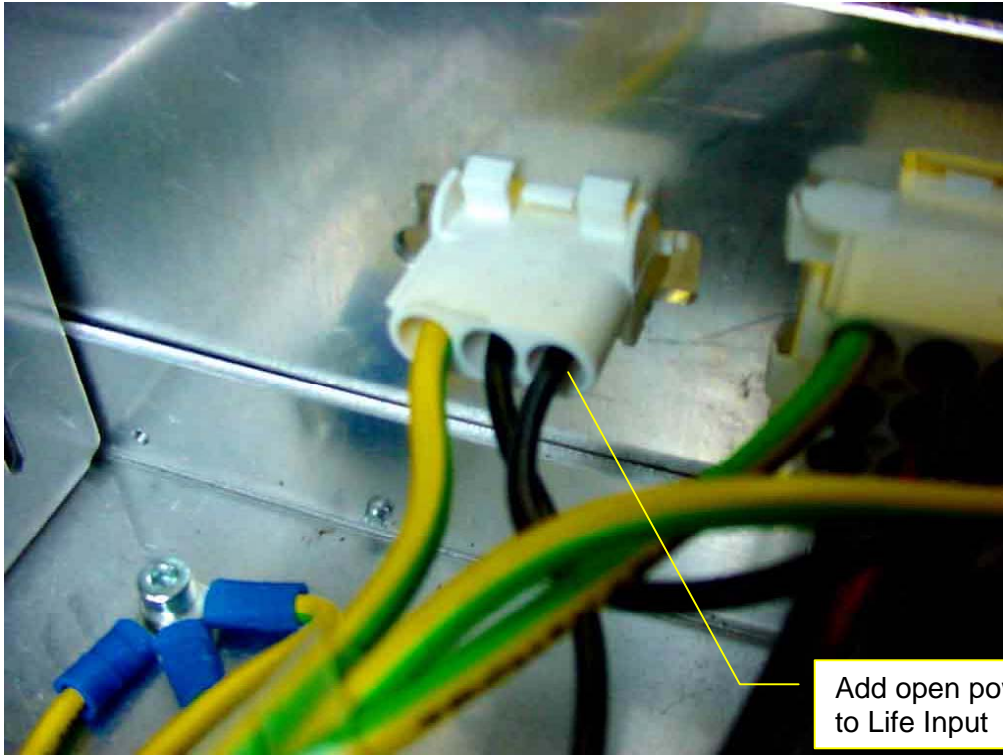
## Q:

The green power switch melted twice on our STX1000. What can we do?

## A:

On the new wiring the low power is fed through the green front power switch only. You may change to the new wiring according below proc.





Add open power  
to Life Input



New Power  
Connection

