

Room  
Temperature  
Systems

# LPR44

Plate  
Hotel

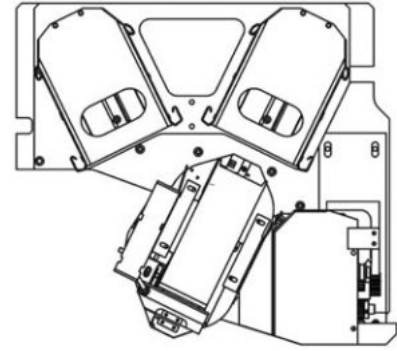
- Under-the Deck Integration
- Ideal for Protein Crystallization Work
- Ideal for Multiple Cassette Configuration

**LiCotel**

# LPR44

## Stable and Precise Climate Conditions

The LPR44 is the smallest member of the LPR Plate Hotel family. Two stationary cassettes can easily be removed between the lift mechanism. In addition to the z-axis, the lift mechanism has a rotation axis (turn movement) that turns the transport shovel facing one of the two cassettes or the transfer station. The stationary cassettes with the Star concept allow the periscope to be the only moving part, reducing the vibration and movement of the samples.



### Basic Device

	Order Nr.
LPR44	9147 00 25

### Options

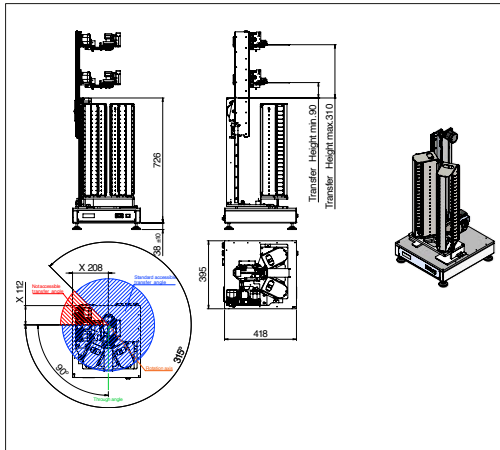
	Order Nr.
Bar Code Reader Option	9118 11 03
Plate Presence Sensor	9121 00 62
Plate overweight kit supports labware weight 300g up to 800g	9118 13 83
iMotion access speeds for time critical applications	9111 10 00
Housing 1/2 Cover	9147 00 18
Cover Protection with integrated Door for manual access	9147 00 19
Shaking option, orbital, 1mm Amplitude 600rpm max.	9147 00 16
Shaking option, orbital, 1mm Amplitude 1200rpm max.	9147 00 17
Shaking option, orbital, 3mm Amplitude 600rpm max.	9147 00 35
Shaking option, orbital, 6mm Amplitude 400rpm max.	9147 00 36
Clear Access Door	9147 00 29

The LPR44's 44 MTP capacity makes it perfectly suitable for small scale integration and highly miniaturized applications. The LPR44 compact size makes it ideal for laboratories with room constraints. Various options like shaker, BCR, housings, and many accessories like various cassettes and transfer stations are available. For details, please refer to [www.liconic.com](http://www.liconic.com).

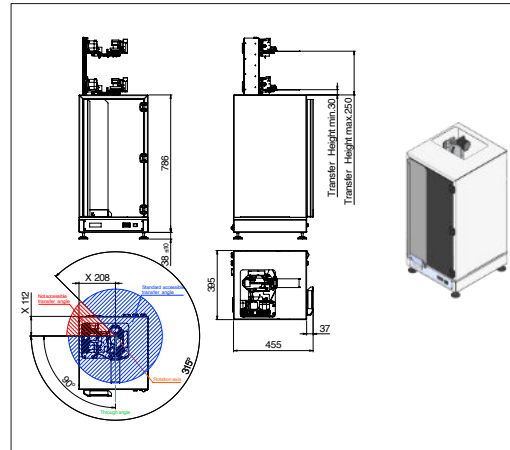
### Accessories

	Order Nr.
Standard MTP cassette, 22 levels, pitch=23mm	9111 05 00
Deep-well cassette, 10 levels, pitch=50mm	9111 05 42
Custom Size cassette, nn levels, mm pitch (specify plate height)	9118 12 31
MTP cassette, 22 levels, pitch=23mm, all stainless steel	9118 12 26
Deep-well cassette, 10 levels, pitch=50mm, all stainless steel	9118 12 27
Custom Size cassette, nn levels, mm pitch, all stainless steel	9118 12 33
Standard Transfer Station with integrated plate detection sensor	9118 02 75
90 degree turn station, rotates plate from portrait to landscape	9111 11 21
Swap transfer station with plate buffer function	9118 11 00
Slide transfer station for extended transfer reach motor up (170mm)	9111 12 28
Slide transfer station for extended transfer reach (300mm)	9111 07 81
Slide transfer station custom size (specify transfer reach 300 - 1000mm)	9118 12 30

### Dimensions



x Position varies depending on handling adjustment within chamber



x Position varies depending on handling adjustment within chamber

### Capacity

Plate Type	Plate Height	Plate capacity of unit
NTP	5 mm	90
	11 mm	60
1536	12 mm	56
	17 mm	44
MTP	22 mm	36
	23 mm	34
	24 mm	34
	27 mm	30
	44 mm	20
DWP	53 mm	16
DiT200	66 mm	14
DiT1000	104 mm	8