

Room  
Temperature  
Systems



# LPX110

## Plate Hotel

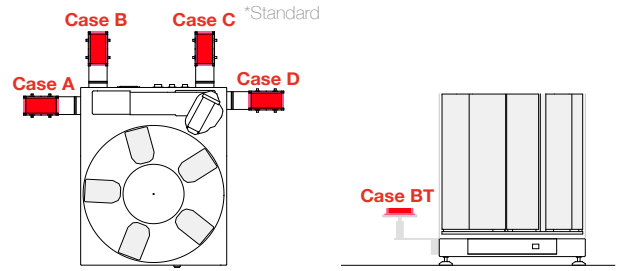
- Expanding Capacity and Minimizing Footprint
- The 110 is Perfectly Suitable for Mild-Large Scale Applications.

**LiCotel**

# LPX110

## Stable and Precise Climate Conditions

The LPX110 is the latest member of the LPX family. Offering a capacity of 110 MTP plates and a high flexibility for integration, it is perfect for automation needs. The LPX110 can be integrated into four different orientations. One system makes left, right, back and side access possible.



### Basic Device

	Order Nr.
LPX110	9131 07 14

### Options

	Order Nr.
Bar Code Reader Option	9118 11 03
Plate Presence Sensor	9121 00 62
Plate overweight kit supports labware weight 300g up to 800g	9118 13 83
iMotion access speeds for time critical applications	9118 35 71
Housing 1/2 Cover	9131 07 19
Cover Protection with integrated Door for manual access	9131 07 23
Linear Shaker	9144 00 59
Transfer Station Location Case A	9144 00 88
Transfer Station Location Case B	9144 02 01
Transfer Station Location Case D	9144 02 03
Option Petri Dish Capability for LPX	9144 00 92
Clear Access Door	9131 04 41

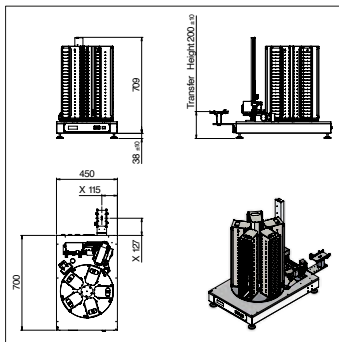
The LPX110's 110 MTP capacity makes it perfectly suitable for most integrations. Its compact size and its capacity make it also ideal for mixed plate applications.

The newly developed handling with higher speed is used in the LPX110. Various Options like shaker, BCR, housings, and many accessories like various cassettes and transfer stations are available.

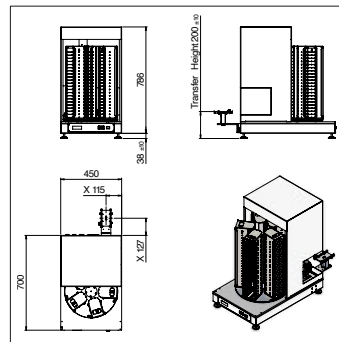
### Accessories

	Order Nr.
Standard MTP cassette, 22 levels, pitch=23mm	9111 05 00
Deep-well cassette, 10 levels, pitch=50mm	9111 05 42
Custom Size cassette, nn levels, mm pitch (specify plate height)	9118 12 31
MTP cassette, 22 levels, pitch=23mm, all stainless steel	9118 12 26
Deep-well cassette, 10 levels, pitch=50mm, all stainless steel	9118 12 27
Custom Size cassette, nn levels, mm pitch, all stainless steel	9118 12 33
Standard Transfer Station with integrated plate detection sensor	9118 02 75
90 degree turn station, rotates plate from portrait to landscape	9111 11 21
Swap transfer station with plate buffer function	9118 11 00
Slide transfer station for extended transfer reach motor up (170mm)	9111 12 28
Slide transfer station for extended transfer reach (300mm)	9111 07 81
Slide transfer station custom size (specify transfer reach 300 - 1000mm)	9118 12 30

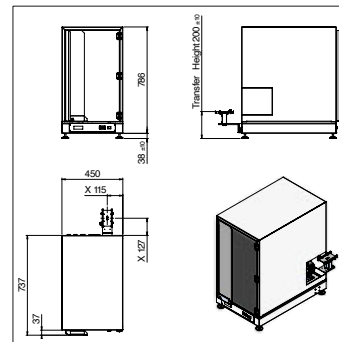
### Dimensions



x Position varies depending on handling adjustment within chamber



x Position varies depending on handling adjustment within chamber



x Position varies depending on handling adjustment within chamber

### Capacity

Plate Type	Plate Height	Plate capacity of unit
NTP	5 mm	210
	11 mm	140
1536	12 mm	135
MTP	17 mm	110
	22 mm	85
	23 mm	85
	24 mm	85
	27 mm	75
DWP	44 mm	50
	53 mm	40
DITi200	66 mm	35
DITi1000	104 mm	20