

Room
Temperature
Systems

LPX220

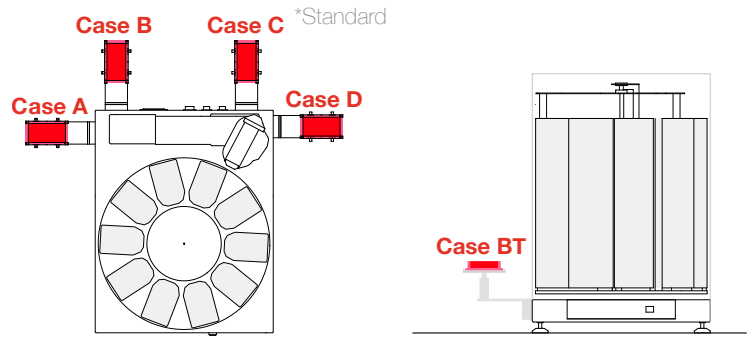
Plate
Hotel

- Four Different Orientations
New Handling with Higher
Speeds
- Ideal for Mixed Plates
Applications

LiCotel

LPX220

The LPX220 is the successor of the legacy 189-plate capacity MPH (Micro Plate Hotel). Some of its improvements are the LPX220's increased 220 MTP capacity, its faster access speed, and its much higher flexibility for integration. The LPX220 can be integrated into four different orientations. One system makes left, right, back, and side access possible.



Basic Device

| | Order Nr. |
|--------|------------|
| LPX220 | 9144 00 50 |

Options

| | Order Nr. |
|--|------------|
| Bar Code Reader Option | 9118 11 03 |
| Plate Presence Sensor | 9121 00 62 |
| Plate overweight kit supports labware weight 300g up to 800g | 9118 13 83 |
| iMotion access speeds for time critical applications | 9118 35 71 |
| Housing 1/2 Cover | 9144 00 57 |
| Cover Protection with integrated Door for manual access | 9144 00 56 |
| Linear Shaker | 9144 00 59 |
| Transfer Station Location Case A | 9144 00 88 |
| Transfer Station Location Case B | 9144 02 01 |
| Transfer Station Location Case D | 9144 02 03 |
| Option Petri Dish Capability for LPX | 9144 00 92 |
| Clear Access Door | 9144 12 52 |

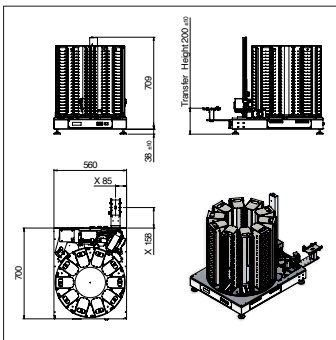
The newly developed handling with higher speed is used in the LPX220. Various options like shaker, BCR, housings, and many accessories, like various cassettes and transfer stations, are available. For details, please refer to www.liconic.com.

The LPX220's 220 MTP capacity makes it perfectly suitable for most integrations. Its compact size and capacity make it also ideal for mixed plate applications.

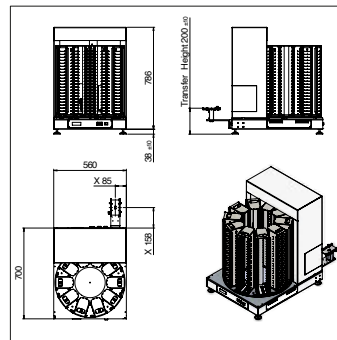
Accessories

| | Order Nr. |
|--|------------|
| Standard MTP cassette, 22 levels, pitch=23mm | 9111 05 00 |
| Deep-well cassette, 10 levels, pitch=50mm | 9111 05 42 |
| Custom Size cassette, nn levels, mm pitch (specify plate height) | 9118 12 31 |
| MTP cassette, 22 levels, pitch=23mm, all stainless steel | 9118 12 26 |
| Deep-well cassette, 10 levels, pitch=50mm, all stainless steel | 9118 12 27 |
| Custom Size cassette, nn levels, mm pitch, all stainless steel | 9118 12 33 |
| Standard Transfer Station with integrated plate detection sensor | 9118 02 75 |
| 90 degree turn station, rotates plate from portrait to landscape | 9111 11 21 |
| Swap transfer station with plate buffer function | 9118 11 00 |
| Slide transfer station for extended transfer reach motor up (170mm) | 9111 12 28 |
| Slide transfer station for extended transfer reach (300mm) | 9111 07 81 |
| Slide transfer station custom size (specify transfer reach 300 - 1000mm) | 9118 12 30 |

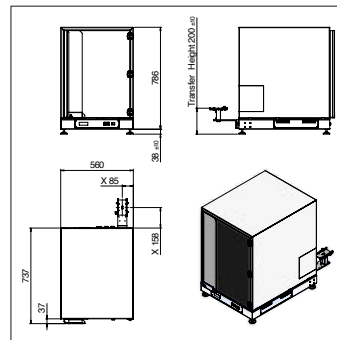
Dimensions



x Position varies depending on handling adjustment within chamber



x Position varies depending on handling adjustment within chamber



x Position varies depending on handling adjustment within chamber

Capacity

| Plate Type | Plate Height | Plate capacity of unit |
|------------|--------------|------------------------|
| NTP | 5 mm | 420 |
| | 11 mm | 280 |
| 1536 | 12 mm | 270 |
| MTP | 17 mm | 220 |
| | 22 mm | 170 |
| | 23 mm | 170 |
| | 24 mm | 170 |
| | 27 mm | 150 |
| DWP | 44 mm | 100 |
| | 53 mm | 80 |
| DiTi200 | 66 mm | 70 |
| DiTi1000 | 104 mm | 40 |