

Room
Temperature
Systems

LPX280

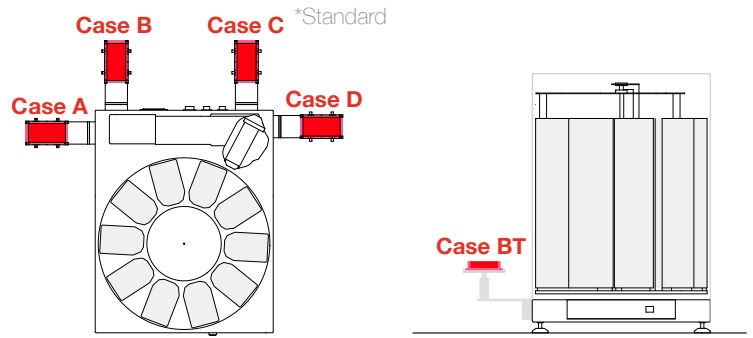
Plate
Hotel

- Four Different Orientations
New Handling with Higher
Speeds
- Ideal for Mixed Plates
Applications

LiCotel

LPX280

The LPX280 is the successor of the legacy 189-plate capacity MPH (Micro Plate Hotel). Some of its improvements are the LPX280's increased 280 MTP capacity, faster access speed, and its much higher flexibility for integration. The LPX280 can be integrated into four different orientations. One system makes left, right, back, and side access possible.



Basic Device	
LPX280	Order Nr. 9144 10 52

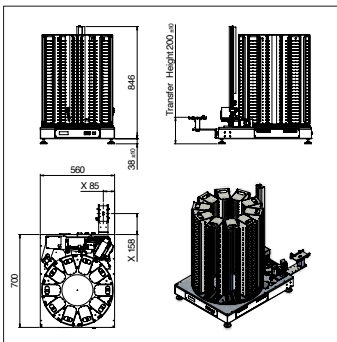
Options	
Bar Code Reader Option	9118 11 03
Plate Presence Sensor	9121 00 62
Plate overweight kit supports labware weight 300g up to 800g	9118 13 83
iMotion access speeds for time critical applications	9118 35 71
Housing 1/2 Cover	9144 10 79
Cover Protection with integrated Door for manual access	9144 02 37
Linear Shaker	9144 00 59
Transfer Station Location Case A	9144 00 88
Transfer Station Location Case B	9144 02 01
Transfer Station Location Case D	9144 02 03
Option Petri Dish Capability for LPX	9144 00 92
Clear Access Door	9144 12 52

The newly developed handling with higher speed is used in the LPX280. Various options like shaker, BCR, housings, and many accessories, like various cassettes and transfer stations, are available. For details, please refer to www.liconic.com.

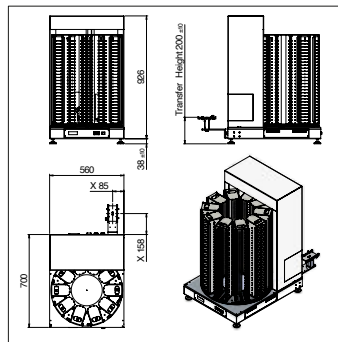
The LPX280's 280 MTP capacity makes it perfectly suitable for most integrations. Its compact size and capacity make it also ideal for mixed plate applications.

Accessories	
	Order Nr.
Standard MTP cassette, 28 levels, pitch=23mm	9132 06 16
Deep-well cassette, 13 levels, pitch=50mm	9132 06 17
Custom Size cassette, nn levels, mm pitch (specify plate height)	9132 06 12
MTP cassette, 28 levels, pitch=23mm, all stainless steel	9132 06 13
Deep-well cassette, 13 levels, pitch=50mm, all stainless steel	9134 18 10
Custom Size cassette, nn levels, mm pitch, all stainless steel	9134 08 83
Standard Transfer Station with integrated plate detection sensor	9118 02 75
90 degree turn station, rotates plate from portrait to landscape	9111 11 21
Swap transfer station with plate buffer function	9118 11 00
Slide transfer station for extended transfer reach motor up (170mm)	9111 12 28
Slide transfer station for extended transfer reach (300mm)	9111 07 81
Slide transfer station custom size (specify transfer reach 300 - 1000mm)	9118 12 30

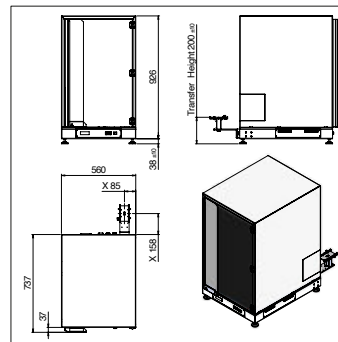
Dimensions



x Position varies depending on handling adjustment within chamber



x Position varies depending on handling adjustment within chamber



x Position varies depending on handling adjustment within chamber

Capacity

Plate Type	Plate Height	Plate capacity of unit	
NTP	5 mm	580	
	11 mm	380	
1536	12 mm	350	
	17 mm	280	
MTP	22 mm	230	
	23 mm	220	
	24 mm	210	
	27 mm	190	
	DWP	44 mm	130
		53 mm	100
DITi200	66 mm	90	
DITi1000	104 mm	50	